

File For Record
 at 3:30 o'clock P M
 NOV 02 2021
 Elvaray B. Silvas
 County Clerk, Brooks County, TX
 28, 2022 Deputy

MARK AND BRAND APPLICATION

THE EFFECTIVE DATE OF THIS APPLICATION IS AUGUST 31, 2021 TO AUGUST 30, 2031
 Renewal of this Brand/Mark must be filed during the period August 31, 2021, to February 28, 2022
 This form is to be used to record a single brand or mark for one or more locations on an animal.

Please print or type information (* Required information):

The undersigned hereby makes application for the registration and recording of the following mark(s) and/or brand(s) by the County Clerk of * Brooks County, Texas:

* New: Renewal: Release: Transfer:

Contact Information:

* Owner/Agent: Billie Mack Simpson

Ranch/Business Name: _____

* Address: P.O. Box 393


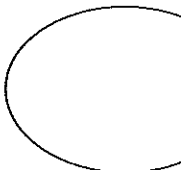
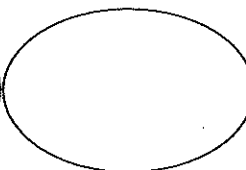
* City: Rio Hondo * State: TX * Zip: 78583

Phone: 956-367-2209 Email: billiemacksimpson@shglobal.net

Brand/Mark Information:

* Specie: Cattle: Horse: Other: _____ Ear Marks Only:

Volume/Book: _____ Page: _____ Cert#: _____

BRAND	MARK	
Draw the Brand	Right Ear	Left Ear
		

* Brand Location on Animal: Left Right

All Locations Hip/Loin Shoulder Thigh
 Side/Rib Jaw/Face/Nose
 Flank Tail/Back

Electronic Chip#: _____

Tattoos: _____

* Brand Description: Laying Down B

* Signature of Applicant: [Signature] *Date: 11-2-21

By: Diana Cantu Deputy, Elvaray B. Silvas County Clerk
(Deputy's Name) (County Clerk's Name)

Pursuant to Texas Agriculture Code 144.041, a copy of this application shall be forwarded to Texas and Southwestern Cattle Raisers Association. Email: brands@tsra.org Fax: 817-887-4402 Mail: PO Box 101988, Fort Worth, TX 76185 Phone: 800-242-7820	<i>County Seal</i>
---	--------------------